



MINING PRODUCTS



WBM **WELDCO-BEALES MFG.**
SPECIALISTS IN ATTACHMENT DESIGN AND MANUFACTURING

Attaching Value – DESIGNING AND MANUFACTURING PREMIUM HEAVY-DUTY ATTACHMENTS, SPECIALIZED TO THE DEMANDING REQUIREMENTS OF EACH MACHINE’S JOB AND CAPABILITIES.

Weldco-Beales Mfg. (WBM) is proudly *attaching value* to the forestry, construction, road maintenance, mining, and resource industries.



Since 1945, WBM has attained a strong wealth of knowledge, experience, skills, and technologies to build value for its customers. This enables the company to continuously create and deliver unique solutions. With WBM, customers can be confident that they will always receive the highest quality products.



CONTENTS

Excavator Attachments

- Cleanup Buckets.....4
- Heavy Duty Digging Buckets.....5
- Large Capacity Buckets.....5
- Extreme Service Buckets.....7
- Shovel Front Conversions.....7
- Manual and Hydraulic Wedge Couplers.....8
- Long Reach Fronts.....9
- Operator Protective Structures (OPS)10
- Falling Object Protection Structures (FOPS)10

Wheel Loader Attachments

- General Purpose Buckets11
- Rock Buckets.....12
- Coal Buckets13
- Rock Tine Buckets13
- Roll-Out Buckets.....14
- Side Dump Buckets.....15
- Mine Trailing Cable Hoops.....15
- Cable Reelers.....16
- Kwik-a-Tach Series Master Hitch.....17
- Kwik-a-Tach Master Hitch.....17
- Tire Handlers.....18
- High Visibility Pallet Fork Racks20
- Mine Cable Bridge Pole Handlers21
- Blast Hole Stemmers.....21
- Jib Booms21

Crawler Dozer Attachments

- Blades and Blade Wear Packages.....22
- Cabs23
- Roll Over Protective Structures (ROPS)24
- Track Pad Cell Regrousering25

Truck Attachments

- Ejector Bodies26
- Body Liner Kits27
- Tow Bumpers27

Underground Mining

- Ejector Buckets28
- Scooptram Buckets and Quick Couplers.....29
- Cab Conversions.....30
- Personnel Carriers.....30

Protective Structures31

Loader Backhoe Attachments34

Complete Product Listing34

EXCAVATOR ATTACHMENTS



CLEANUP BUCKETS

WBM's Cleanup Buckets are designed for loose and bulk loading applications, as well as finish grading. This product reduces cycle times by optimizing machine's breakout and crowd forces. Its dual taper design enables easy cleanout. Cleanup Buckets also have larger capacities and widths versus Heavy Duty Digging buckets.



HEAVY DUTY DIGGING BUCKETS

WBM's Heavy Duty Digging Buckets are designed for general purpose and heavy-duty digging applications, reducing cycle time by optimizing machine's breakout and crowd forces. Increased service life is achieved through extra heavy-duty construction. Its dual taper design enables easy clean-out. This product is available in various standard widths and capacities.

LARGE CAPACITY BUCKETS

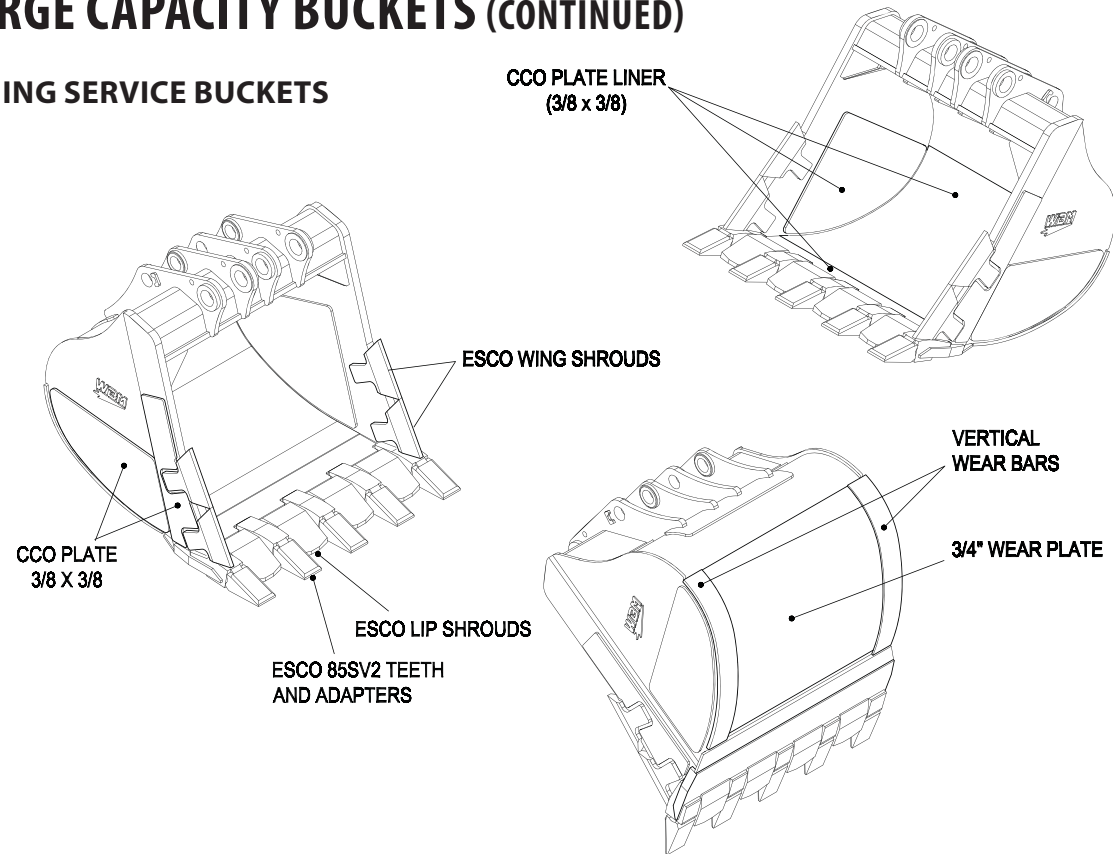
FEATURES & BENEFITS

- 15 to 20 yd³ capacity
- Spade or straight
- 100,000 psi yield strength
- Abrasion resistant B.E., L.E., cheek plates, wear bars
- CCO wear packages available
- Heavy-duty G.E.T.

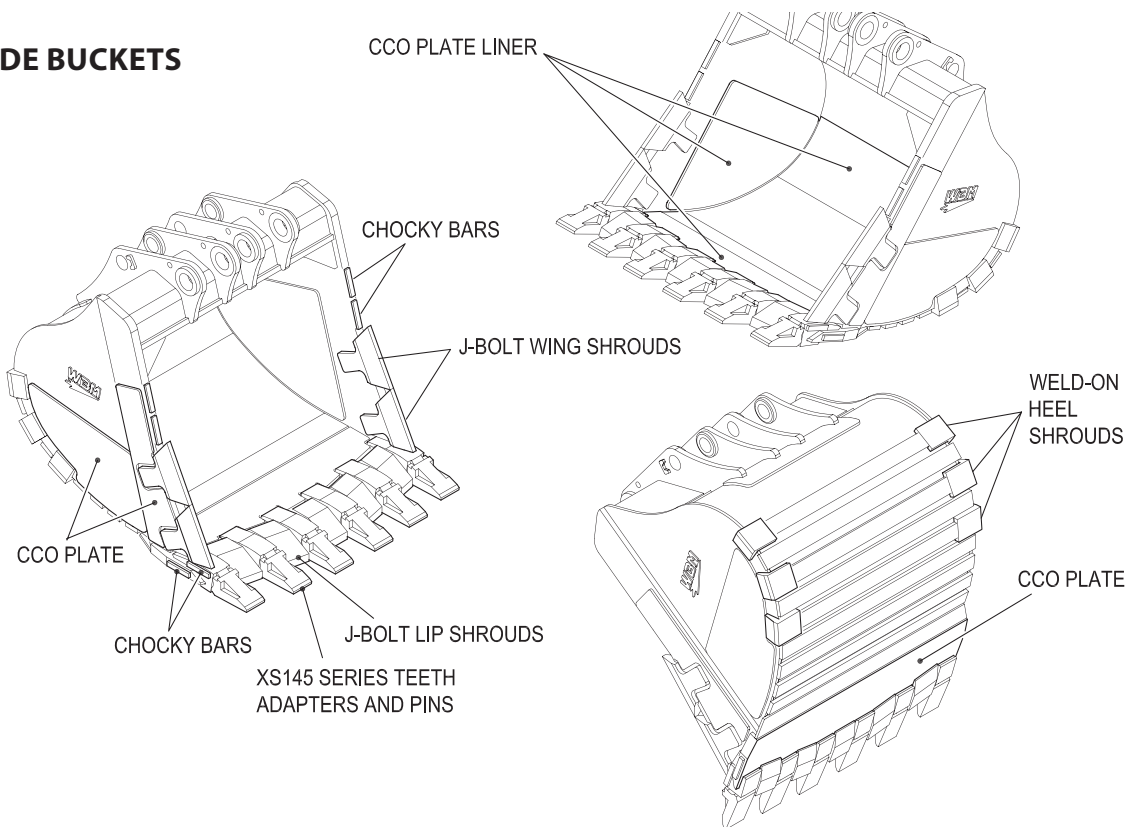


LARGE CAPACITY BUCKETS (CONTINUED)

MINING SERVICE BUCKETS



SPADE BUCKETS



EXTREME SERVICE BUCKETS

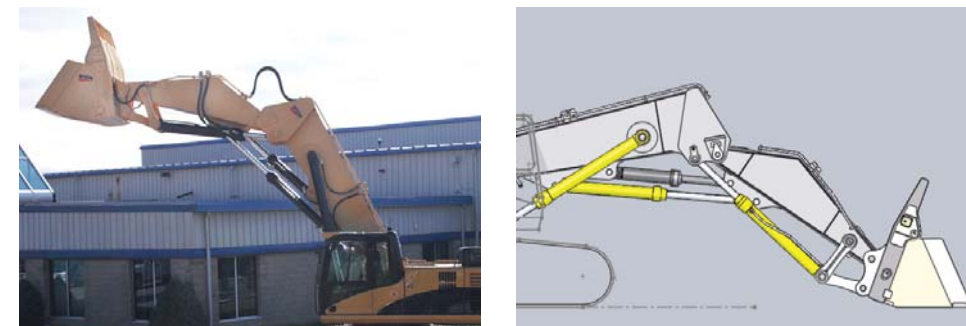
WBM's Extreme Service Bucket's tough, durable design is well-suited for work in harsh, difficult terrain and other heavy-duty digging applications. Increased service life is achieved through extra heavy-duty construction. By optimizing machine's breakout and crowd forces, the operator benefits from reduced cycle time.

MINE CABLE BRIDGE POLE HANDLERS

*See page 21 (*Wheel Loader Attachments*)

SHOVEL FRONT CONVERSIONS

WBM's Shovel Front Conversions are designed to convert an excavator from backhoe configuration to face shovel for mining applications. This product includes the jaw front, door, stick, boom, cylinders, and hydraulic kit.





MANUAL WEDGE COUPLERS

WBM's Wedge Couplers enable the use of all WBM quick coupler lugged attachments on machine models within the same weight class, allowing end users to carry less attachment inventory. Maintaining factory tip radius and breakout force, this product allows simple quick changes between attachments.

Also available for loader backhoe. 



HYDRAULIC WEDGE COUPLERS

WBM's Hydraulic Wedge Couplers enable operators to use all WBM quick coupler lugged attachments on machine models within the same weight class.

FEATURES & BENEFITS

- Activated by solenoid valve using machine hydraulics
- Spring activated safety locking mechanism
- Hydraulic installation kit provided
- Cylinder lock valve provides hose protection
- Standard audible warning when wedge bar is disengaged



LONG REACH FRONTS

WBM's Long Reach Fronts provide an effective strategy to increase an excavator's digging envelope to provide necessary reach for work applications. This product is designed and manufactured to match the capabilities of the excavator and to support the following applications:

- Canal cleaning
- Dredging
- Lagoon cleaning
- Long-reach material handling
- River and canal pipeline crossings

NOTE:

- Some machines may require additional counterweight
- Attachments used must be downsized



Wheel Loader Attachments



OPERATOR PROTECTIVE STRUCTURES (OPS)

WBM's OPS are designed to protect the excavator cab and operator from falling objects in dangerous environments. Front window guarding, which can be bolted and hinged in place for swing-out capabilities, is provided for extra operator protection. Rubber mounts are also included.

FALLING OBJECT PROTECTION STRUCTURES (FOPS)

WBM's FOPS are designed to protect the excavator cab and operator from falling objects in dangerous environments. All WBM FOPS comply with rigid industry standards.

FEATURES & BENEFITS

- Hinged front window guarding for extra operator protection
- Rubber mounts
- Handrail on the roof for 3 point contact ingress/egress
- Curved front to match the profile of the cab
- Ability to latch the operator's door open
- Vertical window bars are angled out to provide enhanced visibility
- Hinged skylight panel over roof protective grid can be opened without compromising protection
- Access to factory cab air filter without removing LH rear post



GENERAL PURPOSE BUCKETS

WBM's General Purpose Buckets are designed to provide excellent loading capabilities and long-life for a variety of common applications such as bank loading, excavating, stockpiling and grading. Available in a variety of widths and capacities, this design has been tested and proven to increase service life and productivity.

FEATURES & BENEFITS

- Base edge can be drilled to accept OEM bolt-on edges, bolt-on adapters and segments, or custom bolt-on edges
- Taper or flat bottom configuration
- Bucket capacities are rated per SAE J742 and based on heaped capacities
- Available with Kwik-a-Tach or OEM pin-on lugs
- OEM drill pattern enables dealer after-market parts sales
- Excellent loading characteristics increase wheel loader efficiency





COAL BUCKETS

WBM's Coal Buckets are used to load hoppers, conveyors, trucks, or train cars from mined or loose coal stockpiles. Due to increased payload expectancy, this product is typically 15-20% larger in capacity than Coal Seam Buckets.

FEATURES & BENEFITS

- 44,000 psi yield strength construction increases the bucket's durability and service life
- Straight or semi-spade nose base edge configuration
- Taper floor construction provides excellent loading characteristics
- Heavy-duty GET hardware
- Increased spill guard length provides material support and prevents spillage, increasing productivity and minimizing damage to the machine
- Designed per SAE J742 based on heaped capacities



ROCK BUCKETS

WBM's Rock Buckets are designed to withstand extreme wear conditions found in mining or quarry environments. This product comes in two distinct base edge configurations, spade and straight. The straight edge enables a higher breakout force and increased dump clearance, whereas the spade nose edge offers superior penetration.

FEATURES & BENEFITS

- 100,000 psi yield strength construction increases the bucket's durability and service life
- Thick wear plates
- Upgraded GET hardware increases service life and decreases maintenance costs
- Designed per SAE J742 based on heaped capacities
- Extended back sheet (spill guard) decreases the amount of material spillage, increasing productivity and minimizing damage to the machine
- Available with Kwik-a-Tach or OEM pin-on lugs
- Straight or spade edge depending on application

ROCK TINE BUCKETS

WBM's Rock Tine Buckets are used in quarry applications to separate large material from smaller material (for example, removing rocks from dirt).

FEATURES & BENEFITS

- Application-specific tine spacing
- Enclosed upper spill guard (full length or center section) reduces material spillage, increasing productivity and minimizing damage to the machine
- Designed per SAE J742 based on heaped capacities
- Available with Kwik-a-Tach or OEM pin-on lugs
- Abrasion resistant and high-strength material increases bucket's service life
- Optional base edge drilled to accept bolt-on edges or bolt-on adapters





SIDE DUMP BUCKETS

WBM's Side Dump Buckets are used in various applications where space is too limited for a loader to go through its normal load and dump routine. This bucket allows the operator to effectively unload to the side without changing the machine's position.



FEATURES & BENEFITS

- Typically 65°-75° of side dump angle
- Single hydraulic cylinder actuation with spring applied pin lock
- Base edge is drilled for OEM bolt-on edges
- Available with Kwik-a-Tach or OEM pin-on lugging
- Available in a wide variety of widths and capacities
- Positive lock-out on basket while digging
- 44,000 psi yield strength mainframe construction, case-hardened bushings in pivot joints, and abrasion resistant weld-on heel plates
- Abrasion resistant base edge, leading edge, weld-on side seam (wrap around) plates, shell, strongback and sideplates

ROLL OUT BUCKETS

WBM's Roll Out Buckets provide extra dumping height and reach for enhanced loading and dumping capabilities. They are used primarily in loose material stockpiling or loading applications. The design utilizes a material-handling bucket (basket) that is hydraulically rotated around a pinned joint on a high-strength pivot frame.

FEATURES & BENEFITS

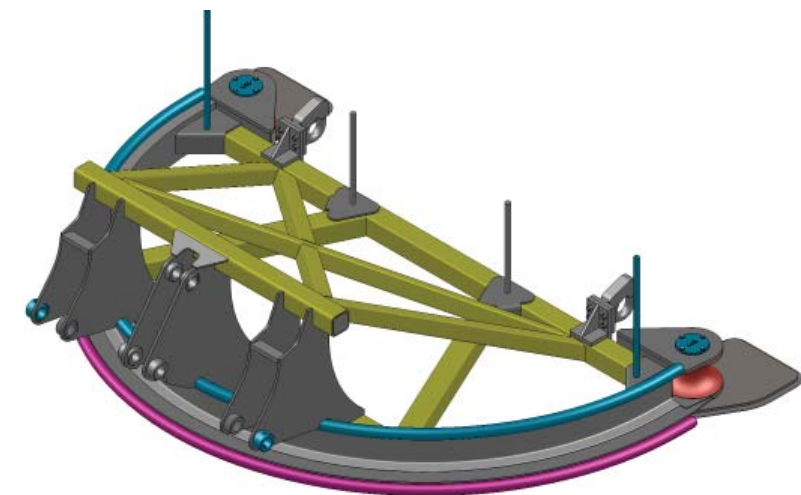
- 90° - 105° of dump angle for positive dump and roll-back action
- Dual hydraulic cylinder actuation
- High strength-to-weight ratio on pivot frame and basket weldments
- Flat bottom design
- Designed per SAE J742 based on heaped capacities
- Base edge drilled for OEM bolt-on edges (easy after-market parts sales)
- Available with Kwik-a-Tach or OEM pin-on lugs
- Available in a variety of widths and capacities
- 100,000 psi yield strength mainframe construction, case-hardened bushings in pivot joints, and weld-on heel plates
- Abrasion resistant base edge, leading edge, weld-on side seam (wrap around) plates, shell, strongback and sideplates

OPTIONS

- Windows in the back of the bucket to promote visibility
- Bolt-on cutting edges

MINE TRAILING CABLE HOOPS

WBM's Mine Trailing Cable Hoops have a heavy-duty design and they provide operators with a quick and safe way to move up to 4.25" OD cable without leaving the cab. This product is available with pin-on or quick coupler mounting.





CABLE REELERS

WBM's Cable Reelers are designed to safely and efficiently handle the cable reel during winding and unwinding of the electrical power cable used by electric powered equipment in mining applications. This product is available in various configurations and sizes for all types of carriers, to suit your needs.

FEATURES & BENEFITS

- Improves operational speed and efficiency
- Reduces handling and maintenance costs
- All control valves included
- Round or octagonal drums
- Loader quick coupler hook-on or direct pin-on mounting
- Rugged design and construction for years of trouble-free service
- Simple and efficient heavy-duty hydraulic drive
- Flow control valves for speed adjustment
- Custom solutions available
- Optional fairlead/"level winder"



KWIK-A-TACH (WLKAT) SERIES MASTER HITCH

WBM's Wheel Loader Kwik-a-Tach (WLKAT) Series Master Hitch has an innovative design that increases the versatility of the Wheel Loader. Various different attachments for similar machine sizes can be utilized, regardless of the boom pin heights, dump and rollback geometry. This decreases the number of attachments required in Wheel Loader applications.

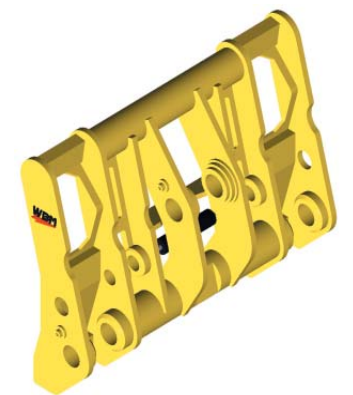


FEATURES & BENEFITS

- High strength-to-weight ratio for outstanding breakout force and stability
- Large interior viewing windows for excellent operator visibility
- Common machine class hook-up points
- Compact design
- Hydraulically actuated or manually operated lock pins
- Heavy-duty frame for enhanced durability and service life
- One double acting cylinder
- **Optional:** Third Valve Power Beyond Kit - a method of using the loader's 3rd valve to operate both the cylinder and a hydraulic function on the attachment

KWIK-A-TACH (KAT) MASTER HITCH

WBM's Kwik-a-Tach (KAT) Master Hitch is the centerpiece product that increases versatility of wheel loaders by allowing quick and easy inter-changeability of attachments. By installing KAT hooks or lugs in place of the factory of OEM pin-on lugging on an attachment, the KAT Master Hitch is capable of changing the attachment utilizing a hydraulic or manual lock pin system.



FEATURES & BENEFITS

- Designed to pin on the boom and linkages using OEM specifications
- Utilizes a top round bar and horizontal lock pin for lug hook-up
- Hydraulically actuated or manually operated lock pins
- Heavy-duty frame
- One double acting cylinder
- An optional four hook KAT Master Hitch is available to help stabilize large attachments
- **Optional:** Third Valve Power Beyond Kit - a method of using the loader's 3rd valve to operate both the cylinder and a hydraulic function on the attachment





TIRE HANDLERS

WBM's Tire Handlers are designed to safely and efficiently handle the extremely large tires found on mining trucks and loaders. Models are available for either forklift trucks or wheel loaders.

FEATURES & BENEFITS

- Tire and Rim handling grip pads *
- Hydraulically operated Fall Arrest Arms.
- In-cab proportional controls
- Integral mounts allow maximum operator visibility and machine performance
- Low profile manipulator body
- Lights mounted in manipulator body
- Induction hardened sealed pins and bushings

OPTIONAL

- Central lubrication
- Induction hardened sealed pins and bushings
- Extra lights
- Camera

TIRE / TYRE MANIPULATOR MODELS

Model	Max Capacity**	Max Tire Size	Fork Lift Class	Wheel Loader Class***
T35P	35,000lbs (15,875kg)	70/70R57	65/70,000lbs	WL400/600/800
T20P	20,000lbs (11,339kg)	53.5/85/57	40,000lbs	WL300
T10P	10,000lbs (4,535kg)	36:00R51	28,000lbs	WL250
T5C	5,000lbs (2,268kg)	35/65R33	12,000lbs +/-	WL150

SPECIFICATIONS

Model	Open-Close	Tire Pad Rotation	Side Shift****	Body Rotation	Hydraulic Fall Arrest	Controls	Tire/Rim Pads
T35P	177"-40"	360°	+/- 8"	90°	Standard	Proportional	Standard
T20P	160"-40"	360°	+/- 8"	90°	Standard	Proportional	Standard
T10P	136"-24"	360°	+/- 8"	90°	Standard	Proportional	Standard
T5C	85"-37"	100°	+/- 8"	75°	N/A	Proportional	N/A

* Not included with T5C

** Carrier dependent

*** Additional counterweight required

**** Standard for wheel loaders, optional for forklifts

New T25 model coming soon



HIGH VISIBILITY PALLET FORK RACKS

WBM's High Visibility Pallet Fork Racks range from 60" to 96" depending on machine size and application. This product is durable for long service life while providing excellent visibility through the frame.

FEATURES & BENEFITS

- Rugged structural tube frame
- 100,000 psi yield strength steel fork tine construction
- High-strength alloy hanger shafts
- Variable rack widths and tine sizes available
- 'Free-floating' tine side-to-side adjustment
- Available with Kwik-a-Tach or OEM pin-on lugs
- Quick and easy side-to-side manual fork tine adjustment to fit different size pallets or load configurations
- High strength-to-weight ratio provides great machine payload

Also available for loader backhoe. 

MINE CABLE BRIDGE POLE HANDLERS

WBM's Mine Cable Bridge (Pole) Handlers safely remove, relocate, and install cable bridge Poles.

FEATURES & BENEFITS

- Rotation: 200° heavy-duty double rack system
- Capacity: 3500lbs (up to 60' poles)
- Wheel Loader or Excavator mounting
- In-cab control kits available



BLAST HOLE STEMMERS

WBM's Blast Hole Stemmers are designed to quickly and safely stem the vertical blasting boreholes used in open pit mining operations.

Curved pivoting blades, combined with a push blade, are used to collect drill cuttings from around the blast hole. The hole is stemmed using a simple "gather and drag" technique. Clearance between the ends of the closed blades prevents damage to the blast cord. This product is available in many sizes to fit various wheel loaders. Side Dump Buckets (see page 13) are often used for this operation.

JIB BOOMS

WBM's Jib Booms' high reach and placement capability are well suited for unique material handling applications. Jib Booms precisely handle and manoeuvre loads that can be attached to the chain hook on its tip.

FEATURES & BENEFITS

- Heavy-duty tubular construction
- Fixed 8 ft boom
- Manual extendable 7' 6" to 13' 6" booms
- Lifting capacity chart
- Kwik-a-Tach or OEM pin-on lugs
- Lifting hook
- Optional hydraulic cylinder extension available



 Also available for loader backhoe.

CRAWLER DOZER ATTACHMENTS



BLADES

WBM has an extensive design portfolio of Dozer blades in various styles for a wide range of machines. If an existing blade does not meet your needs, the Weldco engineering department has the expertise to design a custom solution.

SAMPLE OFFERINGS

- U-Blades
- Semi U-Blades
- Straight Blades
- Angle/Tilt Blades
- Oil Sand Blades
- Coal Blades
- 6-Way Blades
- GET and Liner Kits



BLADE WEAR PACKAGES

WBM's Blade Wear Packages utilize Chromium Carbide Overlay Plate for extra durability in severe abrasion applications. $\frac{1}{4}$ on $\frac{1}{4}$ pre-cut faceplates and complete side wear plate kits are available.



CABS

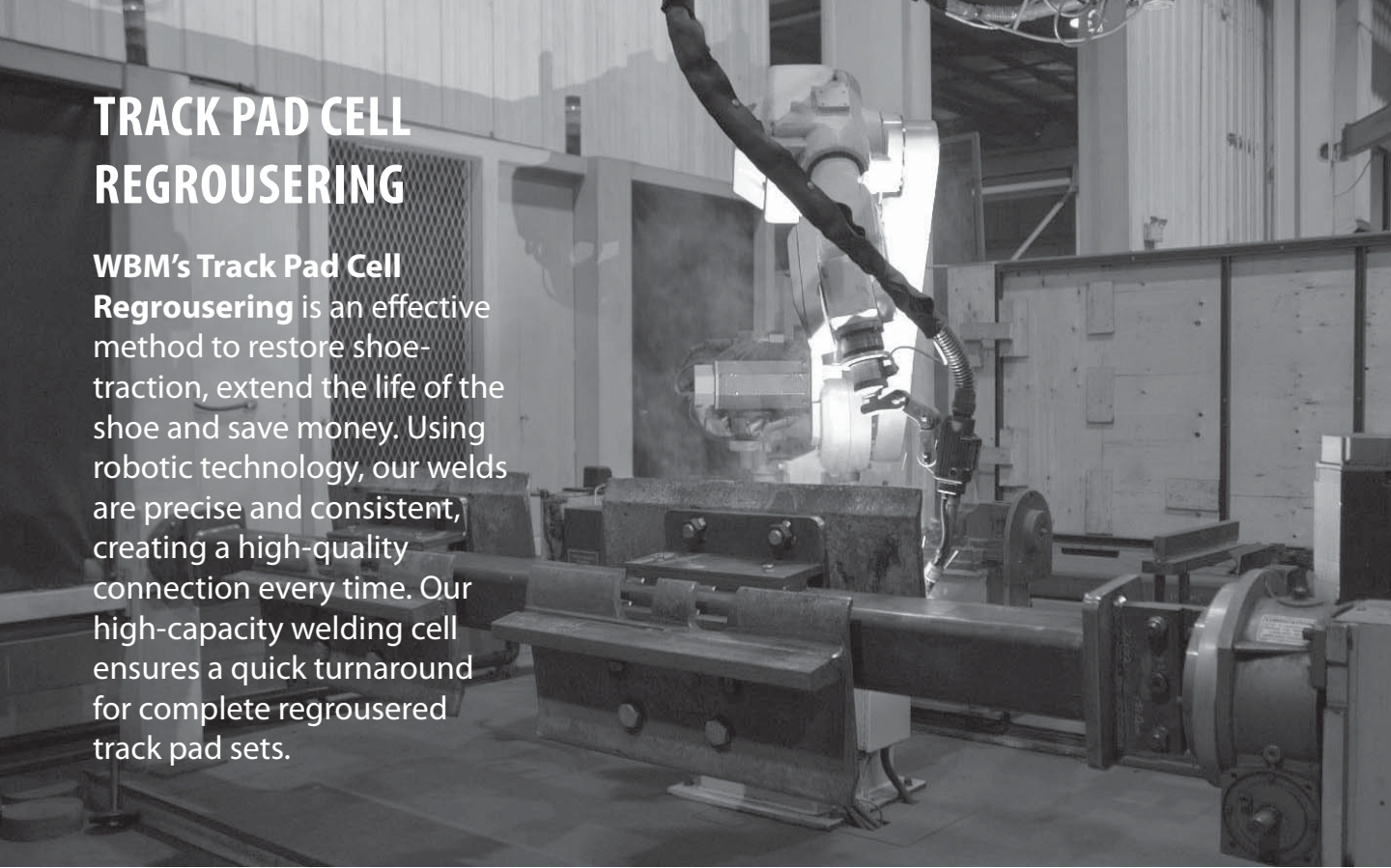
WBM's Soft Cabs are designed to fit under Roll Over Protective Structures (ROPS). Standard designs for various makes and models are available as well as specialized solutions.





TRACK PAD CELL REGROUSERING

WBM's Track Pad Cell Regrousering is an effective method to restore shoe-traction, extend the life of the shoe and save money. Using robotic technology, our welds are precise and consistent, creating a high-quality connection every time. Our high-capacity welding cell ensures a quick turnaround for complete regrousered track pad sets.



ROLL OVER PROTECTIVE STRUCTURES (ROPS)

WBM's ROPS, complete with FOPS (Falling Object Protective Structures) provide better operator and machine protection in the event of a roll-over. All ROPS prototypes are destruction tested and approved to meet various standards and codes.

FEATURES & BENEFITS

- Installation mounts (requires welding to machine frame and case; except for 589 and 561H which are bolt on)
- Easy access to operator's platform
- Excellent upward visibility
- No modifications to Motor Grader frame or draw works
- Compatibility to allow for mounting of rear attachments
- ISO 3471 certification (adherence to CE requirements)
- Compatibility to be installed on select dozer/pipe layer conversions
- Rear screen bosses, wiring conduit, hand holds and 4 light mounts
- Detailed installation instructions

OPTIONS

- Rear screens (necessary if winch installed)
- Side screens
- Roof extensions
- Lights
- Wiring harness
- Crating for international shipments
- Seatbelts
- Installation at WBM facilities
- Standard or bullhorn sweeps
- Third columns

WBM uses grouser bars, made of premium alloy steel, thru-hardened to Rc 45-53. These bars offer proven performance in the most severe applications. For improved traction and machine stability in harsh winter conditions, WBM can install ice lugs onto your grouser bar. Various sizes of pre-cut lengths are available to easily weld onto the top of the grouser bar.



TRUCK ATTACHMENTS

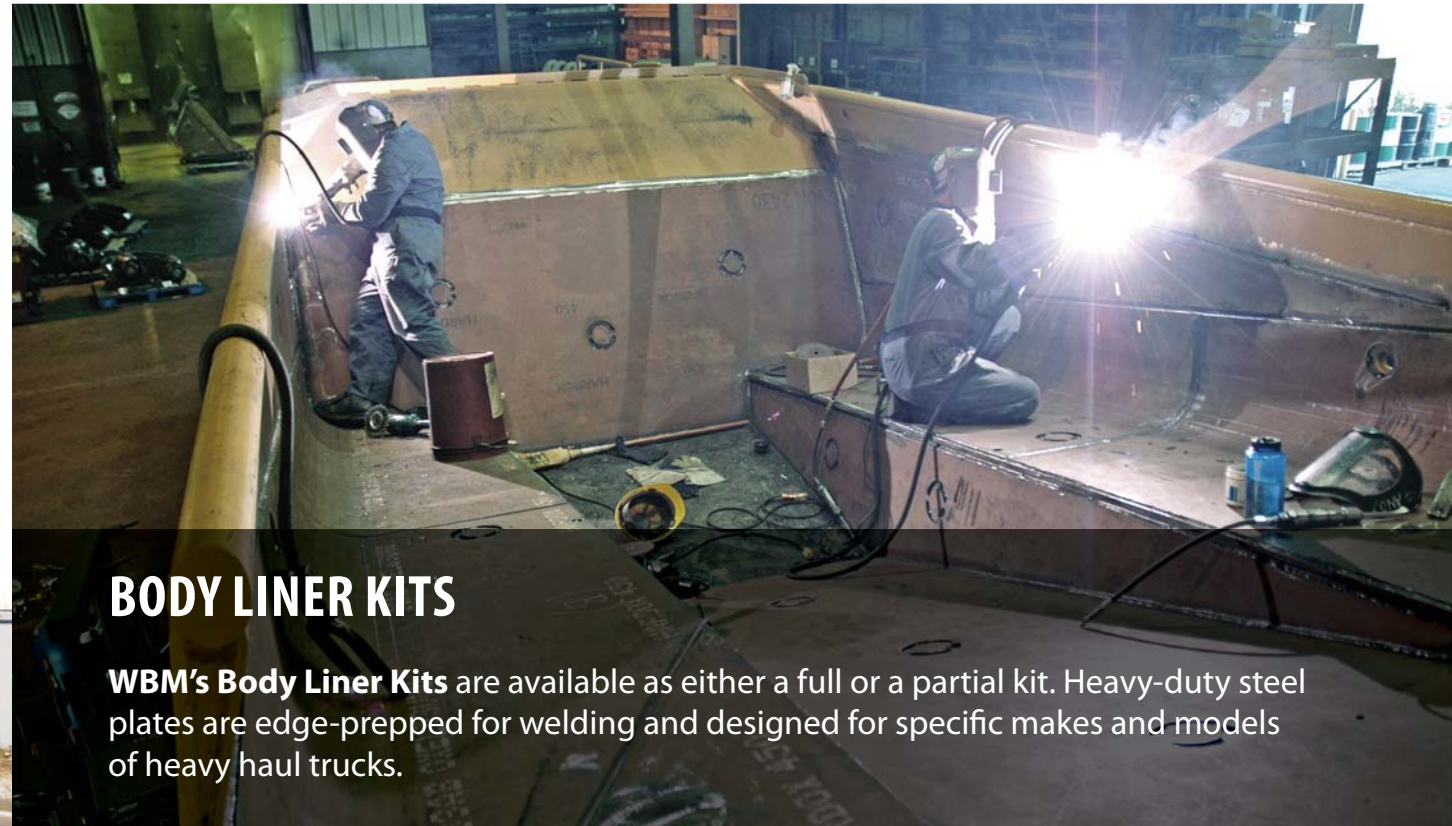


EJECTOR BODIES

WBM's Ejector Bodies make articulated trucks ideally suited for operations in areas with limited overhead clearance. Being able to discharge the full load without having to raise the body, offers greater stability, particularly on soft surfaces.

FEATURES & BENEFITS

- 100,000 yield strength steel body construction
- Abrasion resistant wear plates
- Durable ejector assembly
- Dual eject cylinders
- Hydraulically operated tailgate
- Uses OEM mounting points



BODY LINER KITS

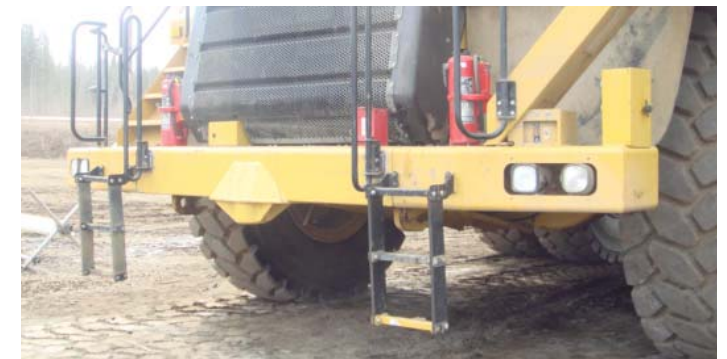
WBM's Body Liner Kits are available as either a full or a partial kit. Heavy-duty steel plates are edge-prepped for welding and designed for specific makes and models of heavy haul trucks.

TOW BUMPERS

Engineered Tow Bumpers are quickly installed weld-in replacements for safely towing Off-Highway mining trucks at the work site.

FEATURES & BENEFITS

- Retrofit in stock location, using OEM frame gussets
- Gusseted, fully welded tow socket
- Designed to use all stock lighting and platforms



UNDERGROUND MINING



EJECTOR BUCKETS

WBM's Ejector Buckets are designed to increase operating reach/height for ejecting clay, mud and other sticky materials easily.

FEATURES & BENEFITS

- Standard or Kwik-a-Tach lugs
- Straight or spade edge
- Abrasion resistant base edge, leading edge and other wear areas
- 2 cylinders contained within



SCOOPTRAM BUCKETS AND QUICK COUPLERS

WBM designs various quality Buckets and Quick Couplers for use in underground mining. Replacement buckets for OEM underground machines and Quick Couplers for buckets, fork racks, jib booms and blades are available with heavy-duty custom designs to meet any customer's requirements.

EJECTOR BODIES

*See page 26 (*Truck Attachments*)

CABLE REELERS

*See page 16 (*Wheel Loader Attachments*)



PROTECTIVE STRUCTURES



CAB CONVERSIONS

WBM's Cab Conversions are designed to provide Motor Graders the ability to operate in low clearance areas, especially for underground mining or tunnelling projects. This product is also useful for maintaining haul roads and road building.

PERSONNEL CARRIERS

WBM's Personnel Carriers have been designed to enhance form, function, passenger comfort, and machine versatility. Operator/passenger safety and environment have been improved with the Rollover Protection Structure (ROPS)/Falling Object Protection Structure (FOPS) enclosed cabin. Heating and air-conditioning add to their protection and comfort.



Initial vehicles were dedicated exclusively for transporting mine workers. Subsequent designs have increased versatility to include work platforms, pallet forks, (front and rear), and rear tilt groups with quick couplers. This allows acceptance of optional attachments from personnel carriers to mechanics' service platforms.

WBM designs and manufactures protective structures for Off-Highway machinery and specialty applications. Our engineering facilities are fully integrated with the following capabilities:

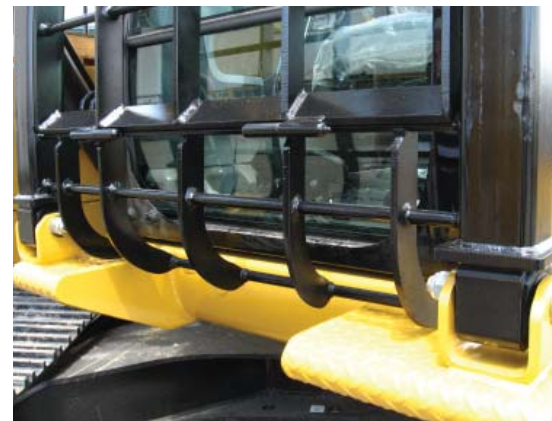
- Computer Aided Design and Drafting (CADD) modeling software, ACAD, PRO-E and INVENTOR
- Finite Element Analysis (FEA) stress and deflection software ALGOR
- Specification and functional development

PROTECTIVE STRUCTURES		
ROPS: Enclosed (cab)	Soft Cabs to fit under ROPS	Forestry Cabs
ROPS: Open (canopy, roll bar or T-bar)	ROPS enclosures (skin kits)	Plant Machinery
Operator Protective Structures (OPS)	Military Cabs and ROPS	Custom Applications
GUARDING		
Sweeps (limb risers)	Roof extension	Tank guards
Side, rear and door screens	Radiator guards	Engine guards
Escape hatch	Cylinder guards	Transmission/drive line guards
Excavator underhouse guards	Heavy duty doors	
ACCESSORIES		
Sound suppression	Isolation mounts	Safety grating (anti-skid plate)
Sliding windows	Polycarbonate windows	Hardware (latched, door handles, stoppers, etc)

LOADER BACKHOE ATTACHMENTS

THE FOLLOWING PRODUCTS ARE ALSO AVAILABLE AS LOADER BACKHOE ATTACHMENTS:

- Cleanup Buckets.....pg. 4
- Manual Wedge Couplerspg. 8
- General Purpose Bucketspg. 11
- Kwik-a-Tach Series Master Hitches.....pg. 17
- Kwik-a-Tach Master Hitches.....pg. 17
- High Visibility Fork Racks.....pg. 20
- Jib Booms.....pg. 21



OPERATOR PROTECTIVE STRUCTURES (OPS)

*See page 10 (Excavator Attachments)

FALLING OBJECT PROTECTION STRUCTURES (FOPS)

*See page 10 (Excavator Attachments)

PERSONNEL CARRIER

*See page 30 (Underground Mining)

CAB CONVERSIONS

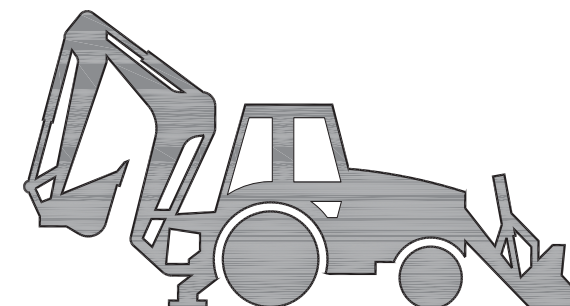
*See page 30 (Underground Mining)

CABS

*See page 23 (Crawler Dozer Attachments)

ROLL OVER PROTECTIVE STRUCTURES (ROPS)

*See page 24 (Crawler Dozer Attachments)



COMPLETE PRODUCT LISTING

Excavator & Log Loader

Booms

Boom Lift Cylinder Adapter Kit
Quick Extension Stick
Long Reach Front

Brush Cutter

Rotary Cutter (ERC)
Rotary Flail (ERF)

Bucket Clamps

Bucket Clamps (Thumbs)

Buckets

Road Builder Bucket
V-Bottom Bucket
Concrete Removal Bucket
Ditching Vee/Trapezoidal Bucket
TCB Twist-A-Bucket
Extreme Service Bucket
TCB Chuck Blade
Cleanup Bucket
HDD Bucket

Couplers

Powertilt
Hydraulic Wedge
Manual Wedge
Compactor/Hammer Adapter

Grapples

Shortwood Grapple
Heel Grapple
Orange Peel Grapple
Demolition/Contractors Grapple
Mat Grapple
Clam Grapple
Extreme Service Heel Grapple
Butt-n-Top Grapple
Mag Grab Grapple

Guarding and Cabs

FOPS (Falling Object Protection System)
Cab Riser
Rock Guards
Underhouse Guards
Forestry Cab
Catwalks

Rakes

Brush Rake
Mounding Rake

Stick Mounted Ripper

Stick Mounted Ripper

Wheel Loader

Blades/Plows

Straight Blade
Hydraulic Angle Blade
U/V Angle Blade
One Way Plow
Runway Plow (Ramp Hog)

Snow Wings
Manual Angle Blade
Hydraulic Angle Snow Blade
Power Broom

Buckets

Multi Purpose Bucket (4 in 1)
Bale/Silage Bucket
Rock Tine Bucket
Coal Bucket (Stockpiling)
Light Material/Snow Bucket
Wood Chip Bucket
Side Dump Bucket
Corral Bucket
Fertilizer Bucket
Roll Out Bucket
General Purpose Bucket
Rock Bucket
Coal Seam Bucket

Cable Reeler

Cable Reeler

Couplers

WLKAT Series KAT Master Hitch
KAT Master Hitch

Fork Racks

Bucket Forks
Peeler Fork
High Visibility Pallet Fork Rack
Pipe and Pole Fork Rack Dual Top Clamp

Grapples

Pipe and Pole Grapple
Log and Lumber Grapple
Mat Grapple
Pelican Grapple
Log Grapple
Highlift Grapple

Jib Boom

Jib Boom

Tire/Tyre Handler/Manipulator

Tire/Tyre Handler/Manipulator

Motor Grader

Blades

Straight Blade
Hydraulic Angle Blade
Manual Angle Blade
U/V Angle Blade

Counter Weight/Push Block

Push Block/Counter Weight

Lift Group

KAT Master Hitch Lift Group
Integral Lift Group

Parallelogram Ripper

Five Pocket Parallelogram Ripper

Plows

V-Plow
One Way Plow

Snow Wings

Hydraulic Mast Snow Wing
Hydraulic Mastless Snow Wing

Crawler Dozer

Blades

Manual Angle Blade
6 Way Power Angle/Tilt Blade
Chip Blade

Forestry Attachments

Arches

Parallelogram Ripper

Parallelogram Ripper

Pipelayer ROPS

Pipelayer ROPS

Rakes

Rakes

Roll Over Protective Structures (ROPS)

ROPS (Roll Over Protective Structures)

Sideboom

Sideboom

Heavy Truck

Plows

Two-Way Plow
One-Way Plow

Sanding Equipment

Sanding Equipment

Snow Wings

Snow Wing

Loader Backhoe

Blades/Plows (Loader)

Manual Angle Blade
Straight Blade
Hydraulic Angle Blade
U/V Angle Blade
Power Broom

Bucket Clamps (Backhoe)

Bucket Clamp (Thumbs)

Buckets (Backhoe)

SDD Bucket
Cleanup Bucket
Concrete Removal Bucket
Twist-A-Bucket
TCB Chuck Blade
Ditching Vee/Trapezoidal Bucket
V-Bottom Bucket

Buckets (Loader)

General Purpose Bucket

Couplers (Backhoe)

Powertilt
Manual Wedge
Compactor/Hammer Adapter

Couplers (Loader)

Manual Quick Coupler
Hydraulic Quick Coupler

Fork Racks (Loader)

High Visibility Pallet Fork Rack
Pipe and Pole Fork Rack Dual Top Clamp
Bucket Forks

Jib Boom (Loader)

Jib Boom

Stick Mounted Ripper (Backhoe)

Stick Mounted Ripper

Compact Excavator

All Products

Custom Work

Blades

Excavator Blade

Buckets

Sidewalk Bucket
Shovel Front Conversion

Grapples

Pipe Tie-In Grapple

Guarding

Track Pad Re-Grouser

Jib Boom

Modified Jib Boom

Mining Truck

High Capacity Truck Body
Truck Bumper
Tail Gates

Pipelayer ROPS

Pipelayer ROPS

Drill Rig

Casing Hammer

Casing Hammer: 1321
Casing Hammer: 615
Casing Hammer: 615
Casing Hammer: 1015

www.weldco-beales.com
www.weldco-hydralift.com

FOR MORE INFORMATION PLEASE CONTACT:



WELDCO-BEALES MFG.

SPECIALISTS IN ATTACHMENT DESIGN AND MANUFACTURING

WBM Edmonton

12155 - 154 Street, Edmonton AB, T5V 1J3

Toll Free:

General Inquiries: 1 800 661 4155

Sales Direct: 1 866 205 7158

Parts Direct: 1 866 205 7159

Local:

General Inquiries: 780 454 5244

Sales Direct: 780 453 5333

Parts Direct: 780 453 5329

Fax: 780 455 6770

WBM Langley

5770 Production Way, Langley BC, V3A 4N4

Toll Free:

General Inquiries: 1 800 665 0511

Parts Direct: 1 866 533 8938

Local:

General Inquiries: 604 533 8933

Sales Direct: 604 533 8933

Parts Direct: 604 533 8938

Fax: 604 530 2206

WBM Barrie

515 Welham Road, Barrie ON, L4N 8Z6

Toll Free:

General Inquiries: 1 877 320 4286

Local:

General Inquiries: 705 733 2668

Parts Direct: 705 733 2668 ext. 110

WBM Tacoma

Toll Free:

General Inquiries: 1 800 547 6357

Local:

General Inquiries: 253 383 0180

WBM Regional Sales Offices

Las Vegas, NV, U.S.A

Phone: 702 544 1184

Saskatchewan, Canada

Phone: 306 747 7332

Maritimes/Nunavut/NE USA

Phone: 709 764 5054



Weldco Hydra-Lift

12155 - 154 Street, Edmonton AB, T5V 1J3

Toll Free:

General Inquiries: 1 866 WELDCO1

Local:

General Inquiries: 780 454 5244

Fax: 780 455 6770

Maritimes/Nunavut/NE USA

Phone: 709 764 5054



Weldco Heavy Industries

Lot 17, Caribou Energy Park, Fort MacKay AB, T0P 1C0

Toll Free:

General Inquiries: 1 866 WELDCO1

Local:

Fax: 780 455 6770

www.weldco-beales.com

www.weldco-hydralift.com

www.weldcoheavyindustries.com

